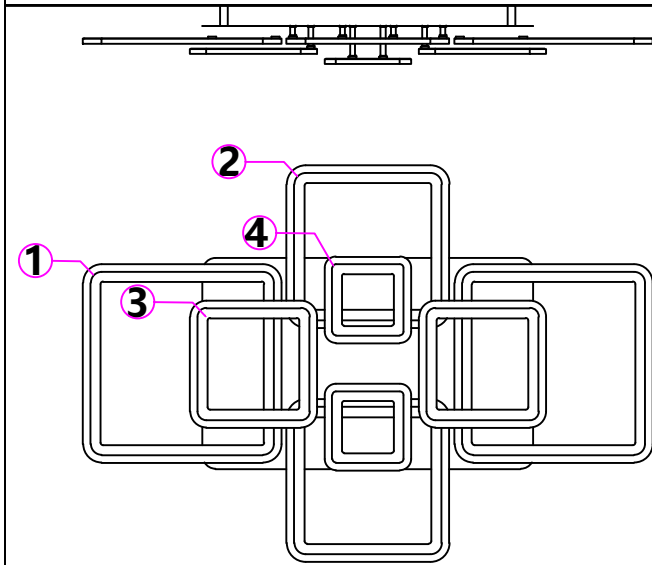
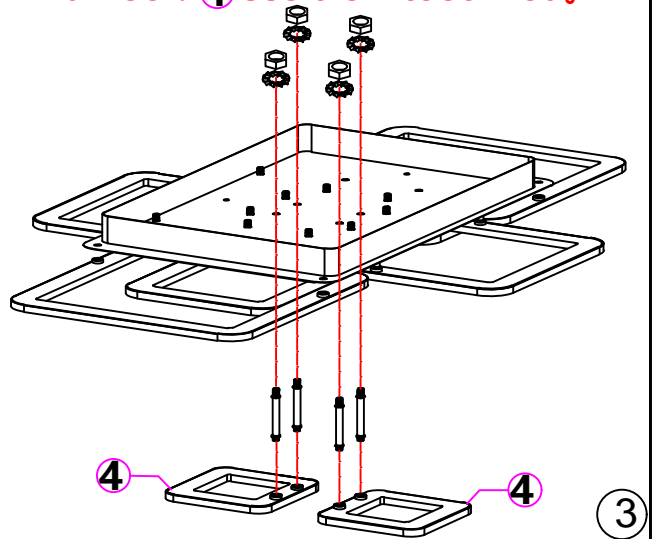


installation steps

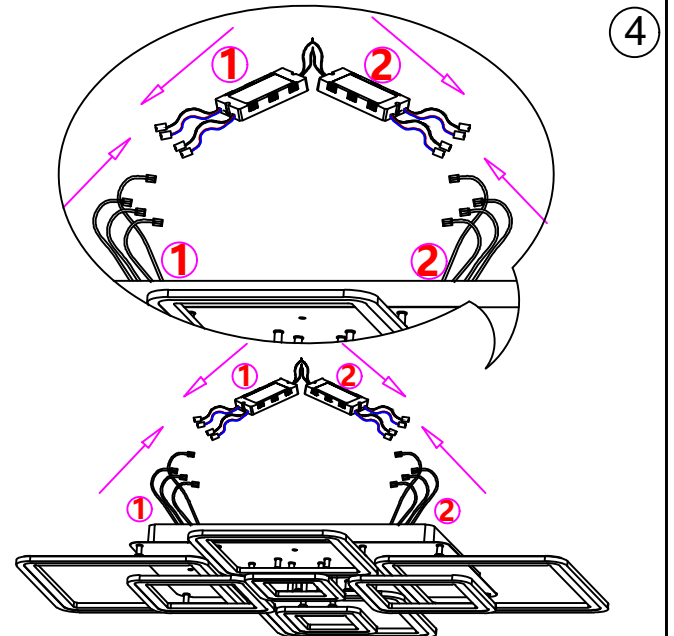
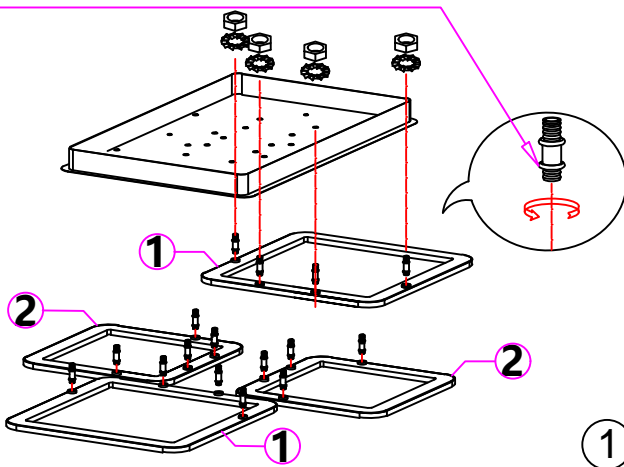


Third floor: ④ Use 6 cm tooth rod.



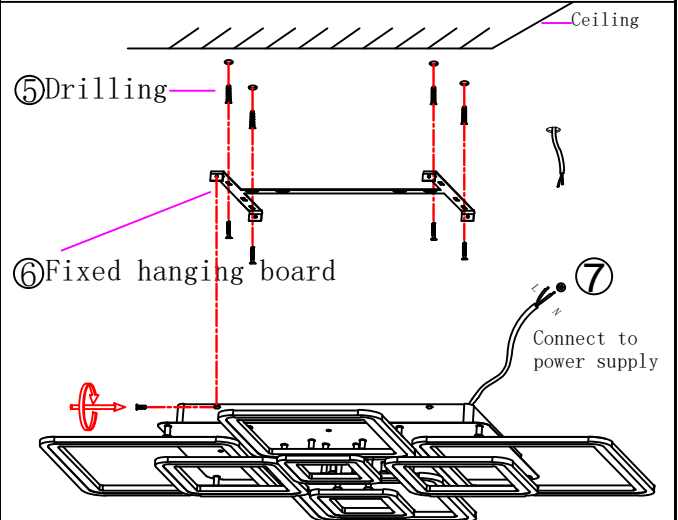
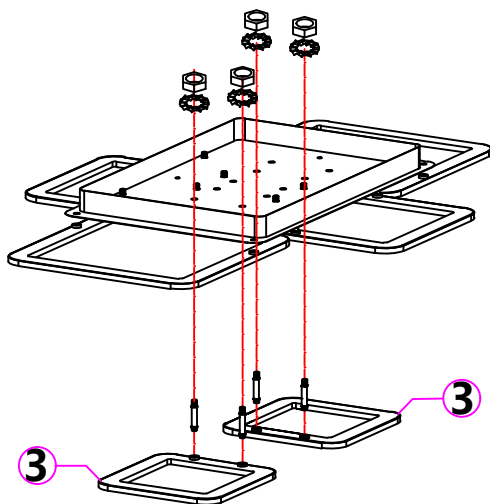
Install them one by one as shown in the figure:

First floor: ①② Use 2 cm tooth rod.
(Note: The shortest is at the bottom)



Leitung 1 verbindet sich mit Antrieb 1, Leitung 2 verbindet sich mit Antrieb 2

Second floor: ③ Use 4 cm tooth rod.



⑧ Finally, match the hanging board and lock the lamps