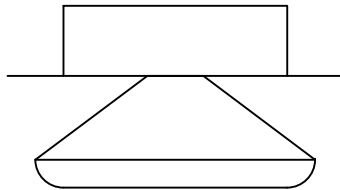


# instructions

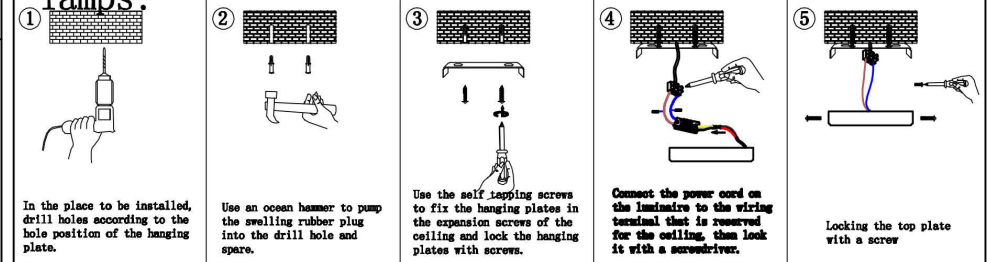
pay attention to:

1. Before installation, please check if the parts are complete and the luminaire is intact.
2. Cut off the main wire before installation, and then carry on the connection.
3. The installation and maintenance must be made by professional technology
4. First install the lamp body, and then install the power supply.

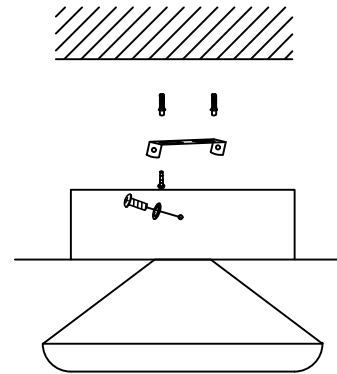
Schematic diagram of lamps and lanterns:



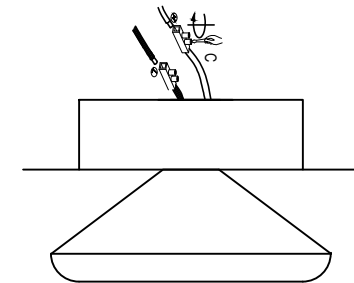
## Installation method of suction ceiling lamps:



## first:



## Second:



When maintaining lamps and lanterns, be sure to cut off the power supply and prevent electric shock.

pay attention to:

1. Thank you for buying the products of our company. In order to use this product efficiently and safely, please check and clean the lamps regularly. (check to ensure the firmness of the fittings, the embedded parts and the load-bearing hooks in the small box. The chain. Prevent the aging and undetected, cause the accident).
2. Clean lamps and lanterns. Please do not turn the body of the lamp when the crystal is in the way, so as to prevent the lamp body from loosening from the external screw teeth, causing unsafe accidents.